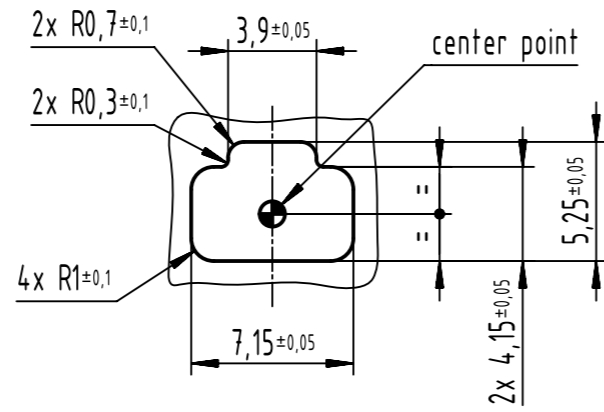
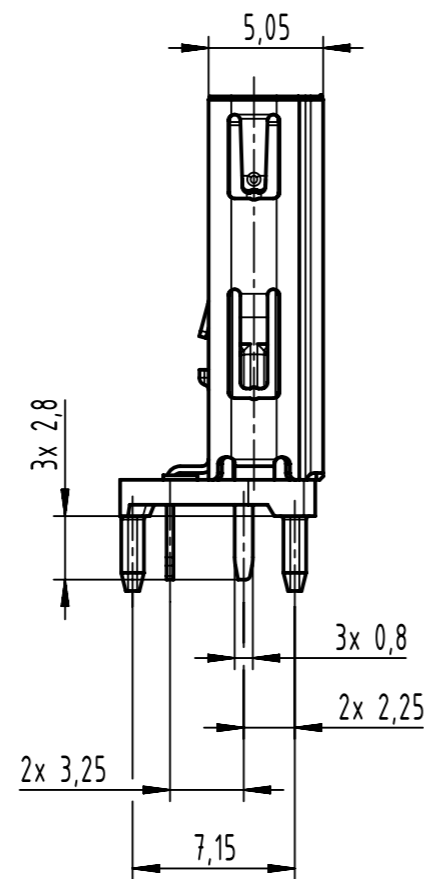
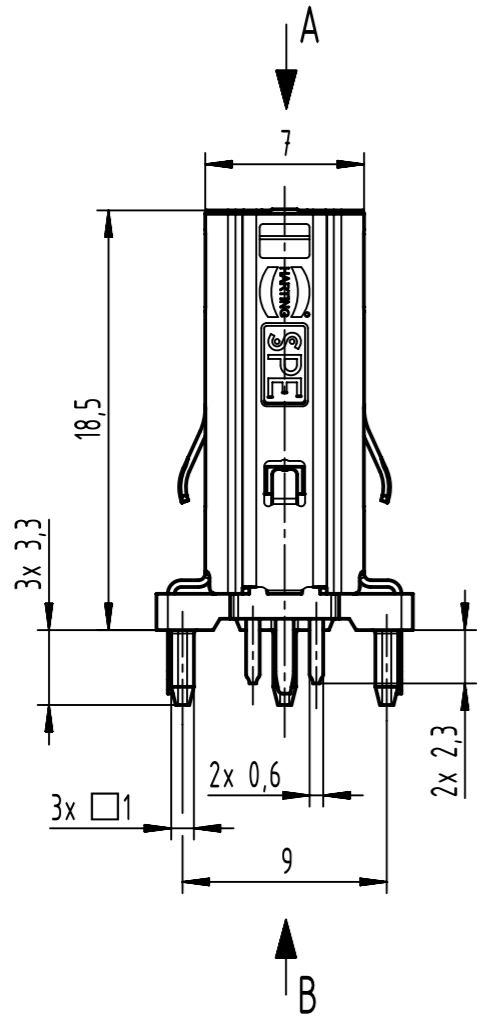
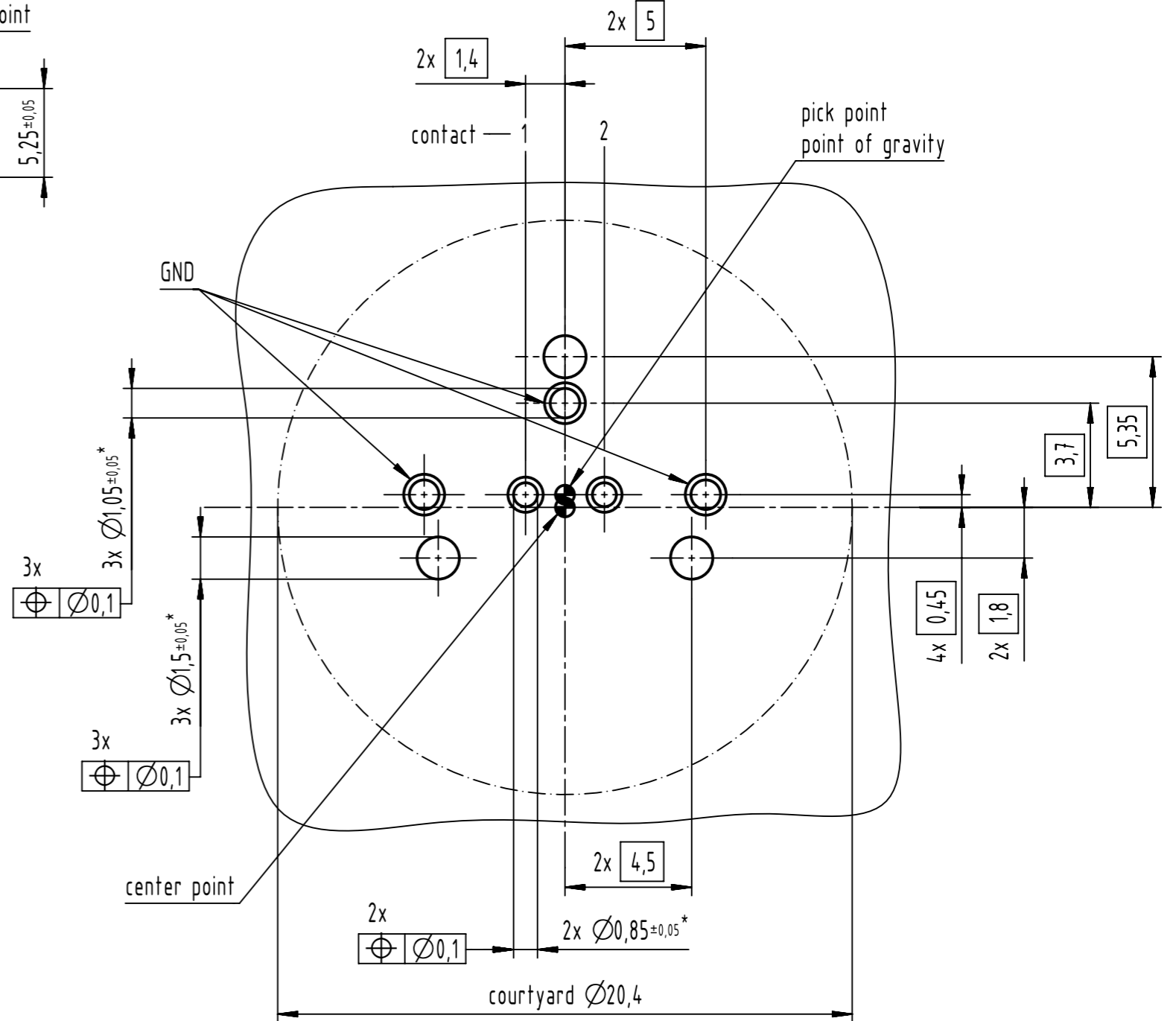


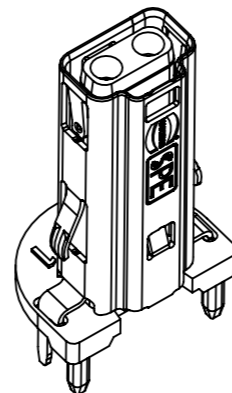
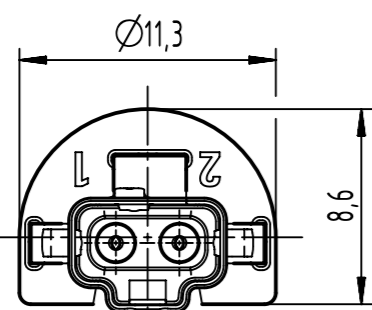
B
panel cutout



A (5:1)
PCB layout



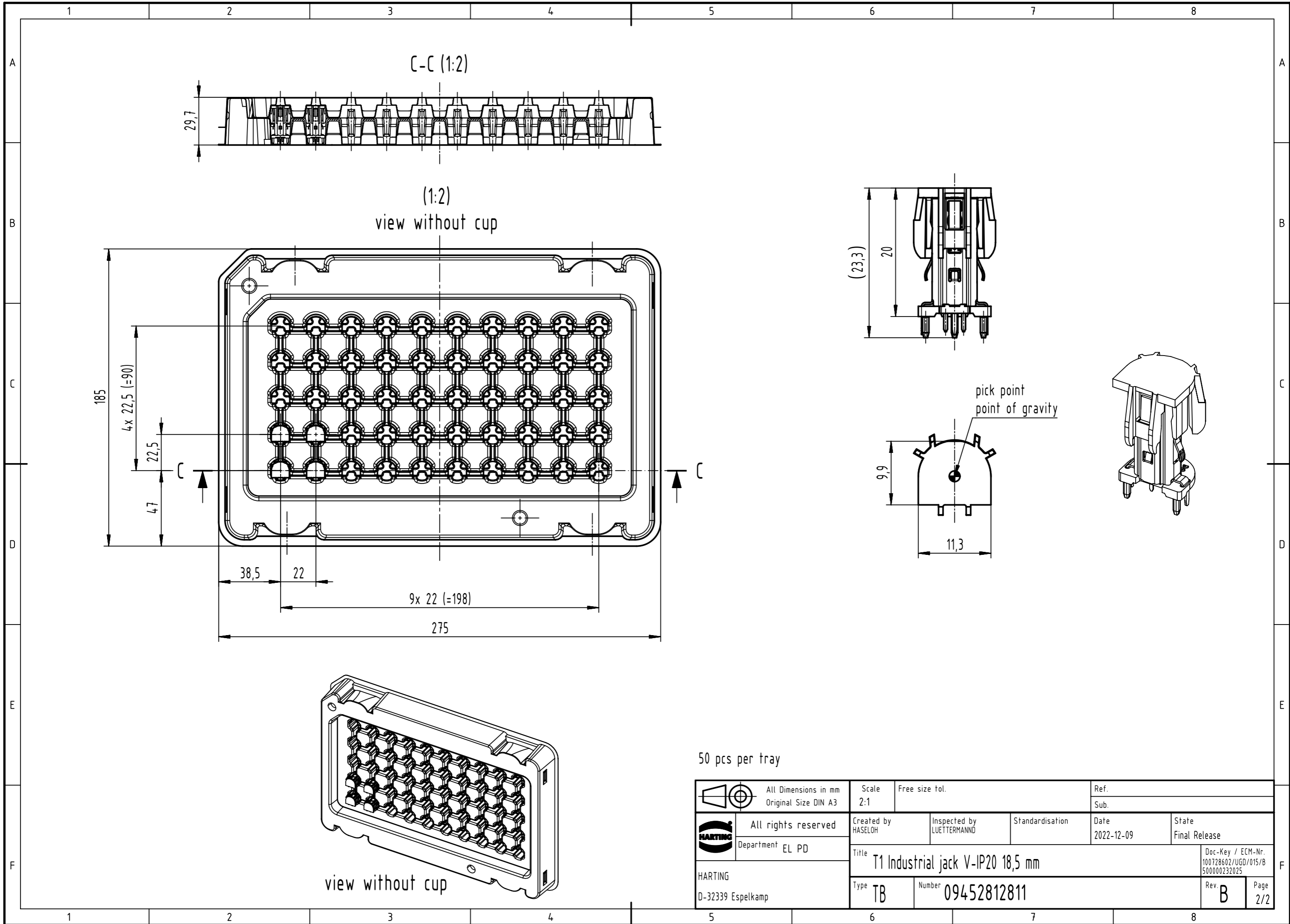
mating face acc. to IEC 63171-6



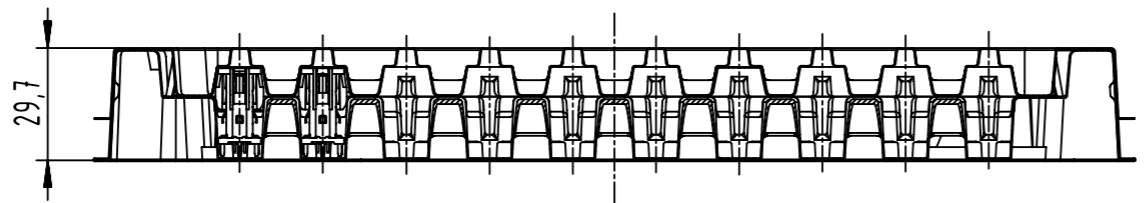
*) all holes are finished diameter

contact	PMA signal
1	BI DA+
2	BI DA-

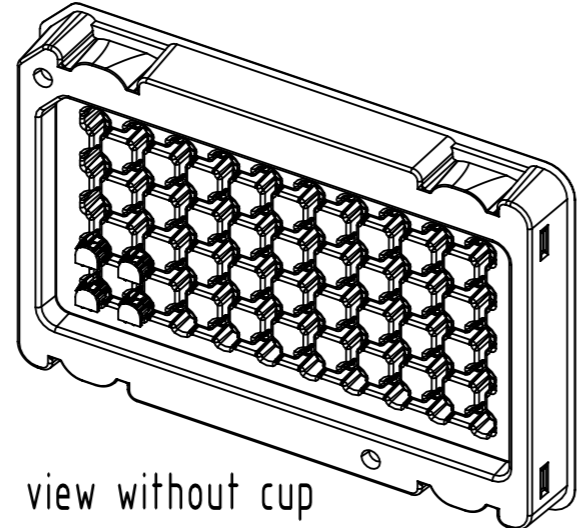
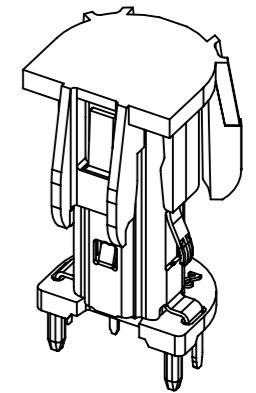
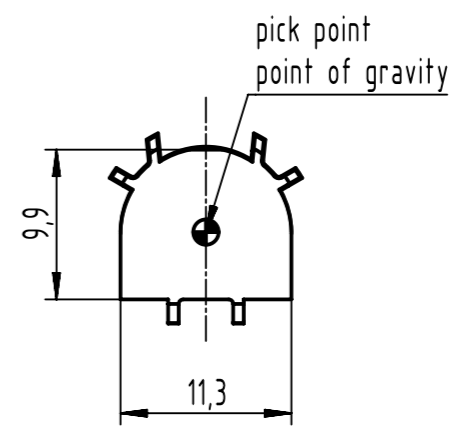
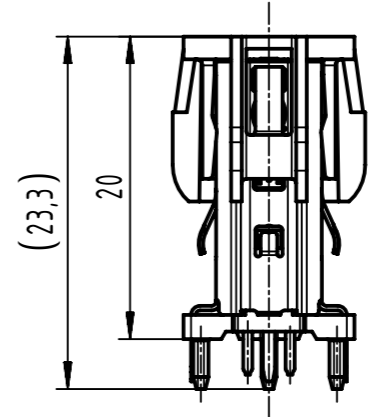
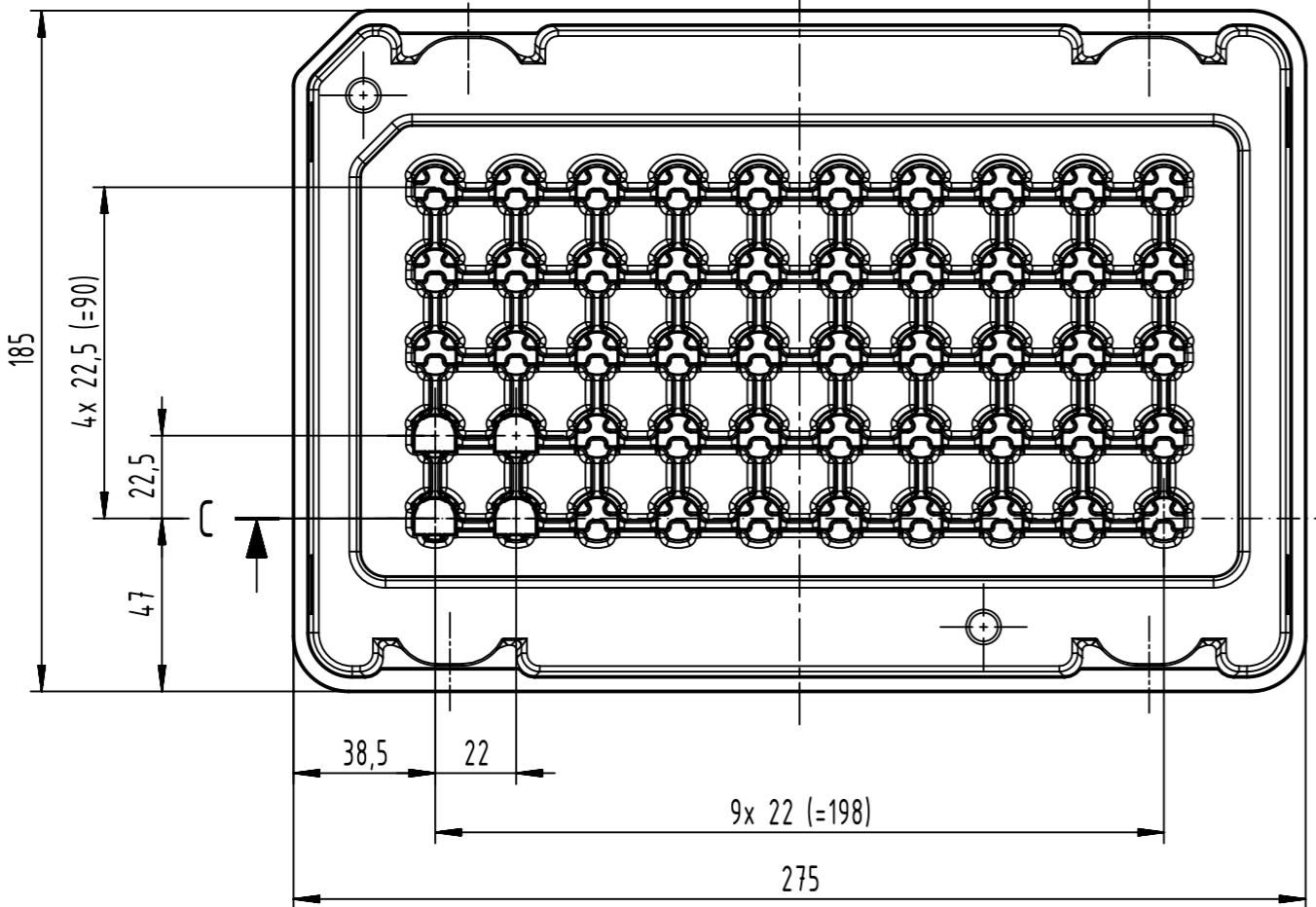
	All rights reserved	Created by HASELOH	Inspected by LUETTERMANN	Standardisation	Date 2022-12-09	State Final Release
	Department EL PD	Title T1 Industrial jack V-IP20 18,5 mm		Doc-Key / ECM-Nr. 100728602/UGD/015/B 50000232025		
HARTING D-32339 Espelkamp	Type TB	Number 09452812811		Rev. B	Page 1/2	



C-C (1:2)



(1:2)
view without cup



50 pcs per tray

	All Dimensions in mm Original Size DIN A3		Scale 2:1	Free size tol.		Ref.
	All rights reserved Department EL PD		Created by HASELOH	Inspected by LUETTERMANN	Standardisation	Sub.
HARTING D-32339 Espelkamp		Title T1 Industrial jack V-IP20 18,5 mm			Date 2022-12-09	State Final Release
		Type TB	Number 09452812811		Doc-Key / ECM-Nr. 100728602/UGD/015/B 500000232025	Rev. B Page 2/2